

IZ-CAT-03 Rev.01(02/22)

ZENEX MULTI T-System

ZENEX MULTI T-System

ZENEX MULTI
T-System

HQ & Factory
1, 2Dong, 26-32, Suworam 4-gil, Seotan-myeon, Pyeongtaek-si, Gyeonggi-do,
Republic of Korea

Sales Office
#1013, #1014 Central-Tower II, 158, Magokseo-ro, Gangseo-gu, Seoul,
Republic of Korea
Tel. +82-31-662-0657 (HQ)
+82-2-3664-3666 (Sales)
Fax. +82-31-662-0658

Izenimplant Co.,Ltd.
www.izenimplant.com


IZEN
I M P L A N T

IZEN

IZEN
I M P L A N T

**Z E N E X
I M P L A N T
S Y S T E M**

020 ZENEX MULTI T-System



IZEN Implant, innovative technology in pursuit of **bright smile**

Established in 2016 by developers and researchers who have spent more than 20 years on research and development in dental implants, IZEN Implant have working on developing innovative products to provide the best result to patients. We will continue to grow into a company that meets customers' needs with safe and excellent products made of trust and continuous research and development.

IZEN Implant provides more convenient, stable, and optimized implant system by building product line-up with high-end technology of ZENEX MULTI and ZENEX PLUS.

Certification

ISO 9001:2015
CERTIFICATE OF REGISTRATION
This certificate has been issued to the company
Treimplant Co., Ltd.
c/o Treimplant, 20-41 Sinsong-ro, Pukguk, Gyeongsangnam-do, Korea
Principal office: Gyeongju-si, Gyeongsangbuk-do, Korea
To certify that the implementation of quality management system
conforms with
ISO 9001:2015
for the activities described below:
Research, development and production of dental product
Manufacture and assembly of dental product
Packaging, distribution and installation of dental product
Service, maintenance and technical support

SZUTEST
CERTIFICATE
Quality Management System
Treimplant Co., Ltd.
Korea, 20-41 Sinsong-ro, Pukguk, Gyeongsangnam-do, Korea
KIN 102 (2016) 0136
Product and Development, Production and Sale of Dental Implant, Removable Denture, Support Apparatus, Dental Equipment, X-ray, X-ray-Bone Scan, Dental Instruments, and IT Products
Korea, Gyeongsangnam-do, Korea

SZUTEST
EC CERTIFICATE
According to Annex 1 of the Directive 92/2001 on Product Safety
HACCP System
Korea, Gyeongsangnam-do, Korea
KIN 102 (2016) 0136
Product and Development, Production and Sale of Dental Implant, Removable Denture, Support Apparatus, Dental Equipment, X-ray, X-ray-Bone Scan, Dental Instruments, and IT Products
Korea, Gyeongsangnam-do, Korea

의료기기 제조 및 품질관리 기준 적합인정서
(Certificate of GMP)
KTR

특허증
본 특허는 「특허법」 제 116조의 규정에 따라 특허심판원을 관할한다.
This is to certify that, in accordance with the Patent Act, a patent for the Invention has been registered at the Korean Intellectual Property Office.

특허청장
최용국

특허증
본 특허는 「특허법」 제 116조의 규정에 따라 특허심판원을 관할한다.
This is to certify that, in accordance with the Patent Act, a patent for the Invention has been registered at the Korean Intellectual Property Office.

특허청장
최용국

특허증
본 특허는 「특허법」 제 116조의 규정에 따라 특허심판원을 관할한다.
This is to certify that, in accordance with the Patent Act, a patent for the Invention has been registered at the Korean Intellectual Property Office.

특허청장
최용국

특허증
본 특허는 「특허법」 제 116조의 규정에 따라 특허심판원을 관할한다.
This is to certify that, in accordance with the Patent Act, a patent for the Invention has been registered at the Korean Intellectual Property Office.

특허청장
최용국

History & Global Network



2016. 03

Foundation of IZEN Implant

2016. 06

Acquisition of manufacturing licenses for medical devices
Report medical device items
(Screw driver for dental implant surgery)

2016. 12

Patent registration
(Driver holder and driver apparatus for dental engineering, No. 10-1684959)

2017. 03

Patent registration
(Driver holder for dental apparatus, No. 10-1714533, No. 10-1714541)

2018. 08

Venture Business Certificate
(No. 20180110278)

2018. 09

Foundation of Corporate Affiliated Research Institute (No. 2018114470)

2019. 06

Acquisition of small businesses technology development project
(Development of Dental implant abutments and scan body for dental digital system)

2019.12

Patent registration
(Abutment and dental implant, No. 10-2062575)



IZEN

I M P L A N T

Your companion armed with active
and flexible ideas for your satisfaction.

2017.09

Registration of medical devices
(Apparatus for dental implant
surgery)

2018.03

Certification of medical
device items compliance with
manufacturing and quality
control standards (KGMP)

2018.04

Medical Device Item Certification
(Dental implant abutments)

2018.07

Acquisition of ISO 9001 : 2015

2020.01

Medical Device Item
Certification
(Orthodontic Screw)

2020.12

Medical Device Item
Certification
(Dental implant abutments)

2021.01

Patent registration
(Implant Lab Analog,
No. 10-2209274)

2021.05

Acquisition of ISO13485:
2016 & CE MDD

MANUFACTURE

Manufacturing



Materials

Fixture and Abutment of Zenex Multi & Zenex Plus Implant System are produced by titanium which is certified by ASTM.



Manufacture by CNC Machine

In order to produce Fixture and Abutment of Zenex Multi & Zenex Plus Implant System, the raw materials are manufactured by CNC Machine.



Manufacture of Half-Finished product

Fixture and Abutment of Zenex Multi & Zenex Plus Implant System are manufactured as a Half-Finished product based on a design of each product.



Sand Blasting

In case of Fixture, the roughness of surface is increased physically by blasting Alumina Powder for osseointegration through getting a wide SLA surface.



Etching

In case of Fixture, the roughness of surface is widened by chemical corrosion. After a SLA surface treatment, the surface inspection is done whether any residual acid is on the fixture.



TiN Coating

For classifying product and aesthetic impression, the electronic-chemical methods are used artificially for TiN coating as a gold color. Applied for some kinds of Abutments.



Cleaning

Final cleaning for a perfect removal of pollutant is proceeded in the Clean Room. After final cleaning, the inspection will be taken place.



Packing

After cleaning products, the packing is done in the clean room. The packing is proceeded by automatic system without any foreign pollution.



Sterilization

For some products, it is sterilized by the short-wavelength of gamma radiation. It is possible to check the sterilization through a color of sticker on the package changed by a gamma radiation. Applied product: Fixture, Fixture Cover Screw, Healing Abutment & Multi Abutment Healing Cap

Quality Management



After manufacturing product (fixture), Dimension of product is tested by non-contact visual microscope to measure precise dimension.



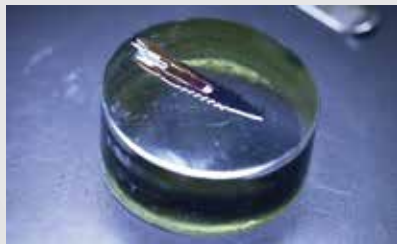
Our products are tested by fixation force and screw loosening for providing a stable products.



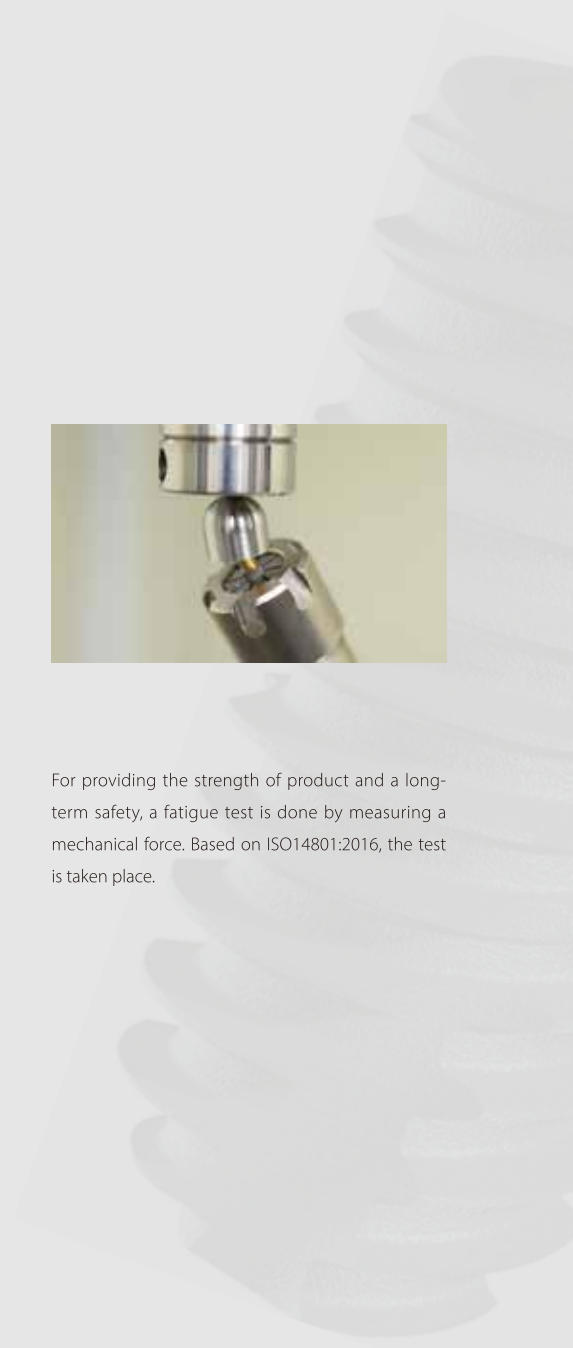
For providing the strength of product and a long-term safety, a fatigue test is done by measuring a mechanical force. Based on ISO14801:2016, the test is taken place.



In order to maintain a stable roughness of SLA Implant surface, the roughness of surface is tested in each lot.



We observe the fixture and abutment is connected internally without any problem before the shipment.



ZENEX MULTI T-System Contents

ZENEX MULTI
T-System Fixture
020



Cover
Screw
023



Healing
Abutment
024



Temporary
Abutment
028



Cemented
Abutment
029



Angled
Abutment
034



FreeMilling
Abutment
037



CCM Cast
Abutment
039



Pick-Up
Impression
Coping
040



Transfer
Impression
Coping
042



Fixture Lab
Analog
044



Multi Straight
Abutment
048



Multi Angled
Abutment
049



Multi Temporary
Cylinder
051



Multi CCM
Cast Cylinder
051



Multi Plastic
Cast Cylinder
052



Multi Ti-Link
Cylinder
052



Multi Pick-Up
Impression
Coping
053



Multi Transfer
Impression
Coping
053



Multi
Lab Analog
054



Multi
Healing Cap
054



Multi
ScanBody
055



Multi Straight
Abutment Driver
055



Ball
Abutment
058



Ball Abutment
Cap Set
059



Ball Abutment
Retainer Set
059



Ball Abutment
O-ring Set
060



Ball Abutment
Lab Analog
060



Ball Abutment
Driver
061



Kerator
Abutment
062



Kerator Angled
Abutment
063



Kerator
CDPH Set
064



Kerator
Male Cap
064



Kerator
Magic Tool
065



Kerator
Torque Tip
065



Kerator
Impression
Coping
066



Kerator Lab
Analog
066



ScanBody
070



Ti Link
Abutment
071



Ti Blank
Abutment
072



Kit Contents

ZENEX
SURGERY KIT
134



Guide
Drill
136



Lindemann
Drill
136



Drill
Extension
137



Twist
Drill
137



Step
Drill
138



Drill
Stopper
139



Cortical
Drill
139



Direction
Pin
140



Parallel
Pin
141



Fixture
Driver
141



1.2 Hex
Driver
143



IZEN
I M P L A N T

Torque
Wrench
143



Depth
Gauge
144



Steel
Bowl
144



ZENEX
SIMPLE KIT
150



Guide
Drill
152



Lindemann
Drill
152



Drill
Extension
153



Twist
Drill
153



Drill
Stopper
154



Cortical
Drill
154



Direction
Pin
155



Parallel
Pin
155



Fixture Driver
156



1.2 Hex Driver
156



Torque Wrench
157



Depth Gauge
157



ZENEX EASY SURGERY KIT
162



Guide Drill
164



Lindemann Drill
164



Drill Extension
165



Step Drill
165



Cortical Drill
167



Direction Pin
167



Parallel Pin
168



IZEN

I M P L A N T

Fixture Driver
168



1.2 Hex Driver
170



Torque Wrench
170



Depth Gauge
171



Steel Bowl
171



Tissue Punch
176



Trephine Drill
176



Bone Profiler
177



ZENEX SUPERWIDE KIT
178



Guide Drill
180



Lindemann Drill
180



Drill Extension
181



Kit Contents

Step Drill
181



Cortical Drill
182



Direction Pin
182



Parallel Pin
183



Fixture Driver
183



1.2 Hex Driver
185



Torque Wrench
185



Depth Gauge
186



ZENEX
PROSTHETIC
KIT
188



1.2 Hex Driver
190



1.2 Hex Machine
Screw Driver
190



Abutment
Remover
191



Finger Driver
for Driver Shaft
191



Ball Abutment
Driver
192



Multi Straight
Abutment Driver
192



Torque
Wrench
193



Kerator
Magic Tool
193



Kerator
Torque Tip
194



IZEN
I M P L A N T

IZEN
I M P L A N T

IZEN
I M P L A N T

ZENEX MULTI T-System

ZENEX MULTI T-System

COMPOSITION

020 ZENEX MULTI T-System Fixture

023 Cover Screw

024 Healing Abutment

027 PROSTHETIC FLOW CHART I

028 Temporary Abutment

029 Cemented Abutment

034 Angled Abutment

037 FreeMilling Abutment

039 CCM Cast Abutment

040 Pick-Up Impression Coping

042 Transfer Impression Coping

044 Fixture Lab Analog

047 PROSTHETIC FLOW CHART II

048 Multi Straight Abutment

049 Multi Angled Abutment

051 Components of Multi Abutment

057 PROSTHETIC FLOW CHART III

058 Ball Abutment

059 Components of Ball Abutment

062 Kerator Abutment

063 Kerator Angled Abutment

064 Components of Kerator Abutment

069 PROSTHETIC FLOW CHART IV

070 ScanBody

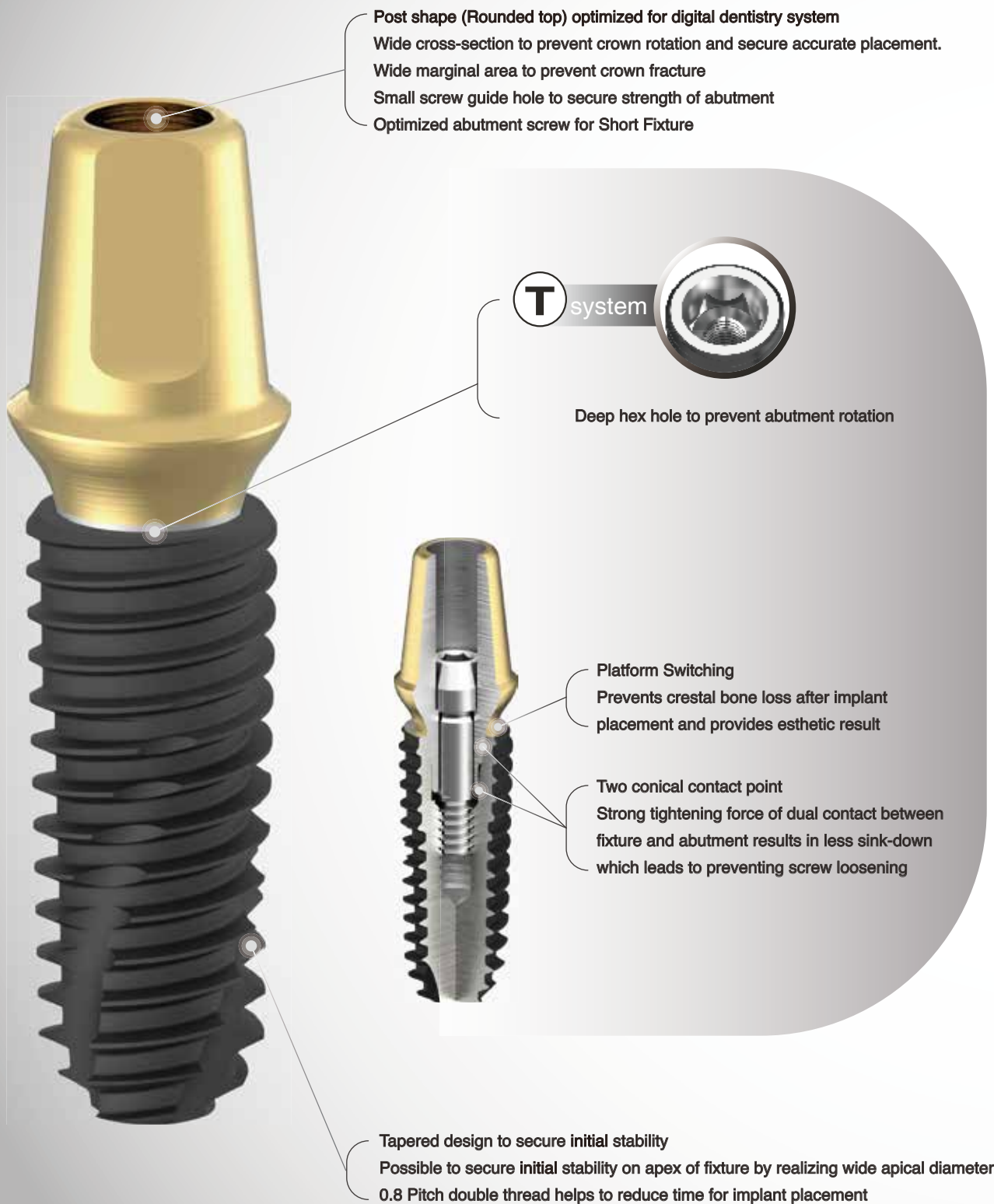
071 Ti Link Abutment

072 Ti Blank Abutment

ZENEX MULTI T-System

- Design features

- Designed for various types of bone



ZENEX MULTI Implant

- Surface features

SEM MAG:30X

SLA surface
(Al₂O₃ powder Sand-blast and Acid Etched)

- SLA surface for presenting ideal surface shape
- Surface Roughness Ra 2.0~3.0 μm
- Safe surface with no residual acid
- Safer than other implants
(Proved by ICP/IC Analysis)

SEM MAG:5000X

ZENEX MULTI Fixture T-System

Internal 11° tapered submerged type implant

SLA surface implant

Tapered design to secure initial stability

Double thread design for securing width of internal connection and easy insertion

Possible to secure primary stability on apex of fixture by realizing wide apical diameter.

Recommended torque for implant placement: Less than 40Ncm

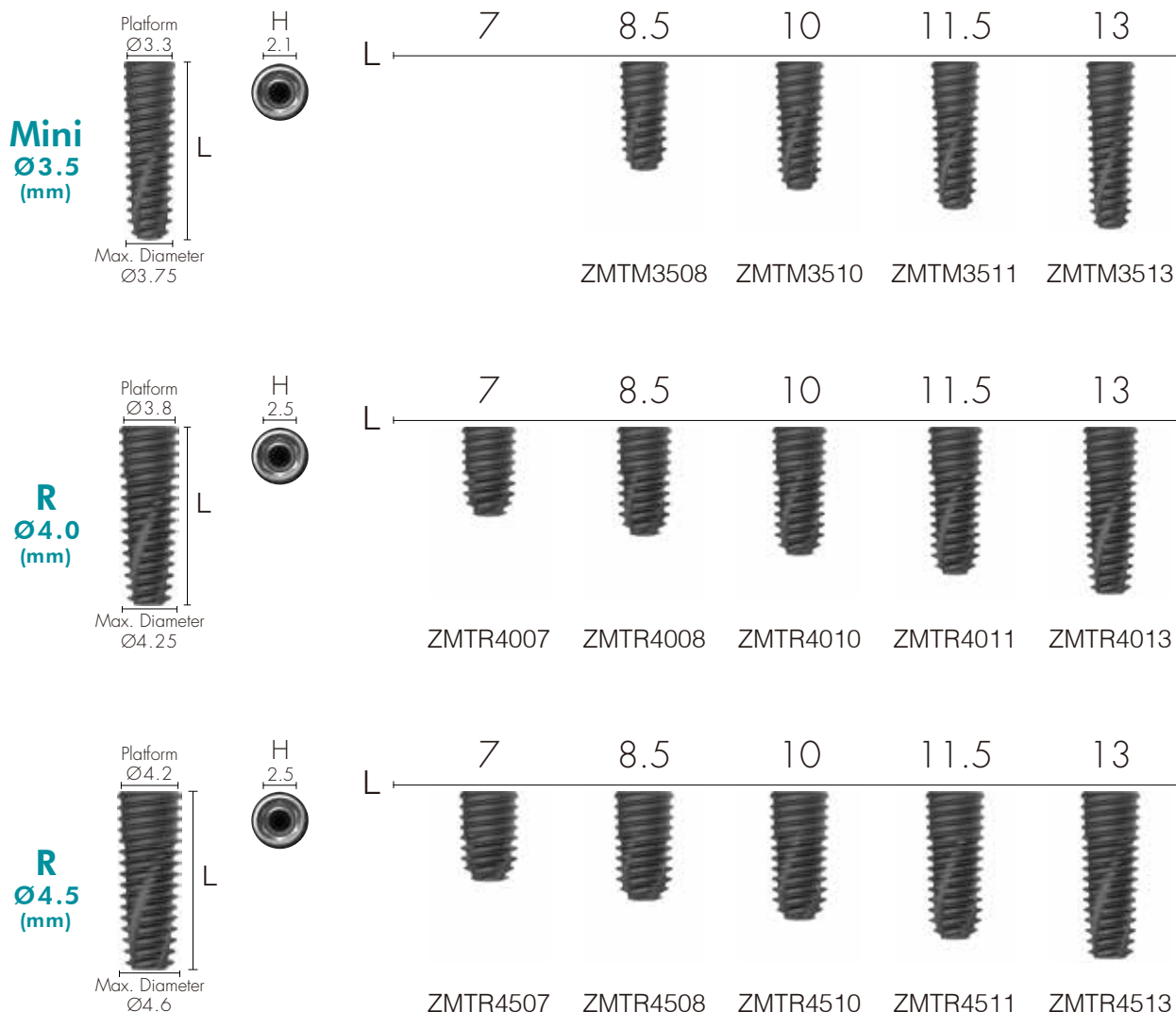
For wide Fixture (Ø 6.0, Ø 7.0)

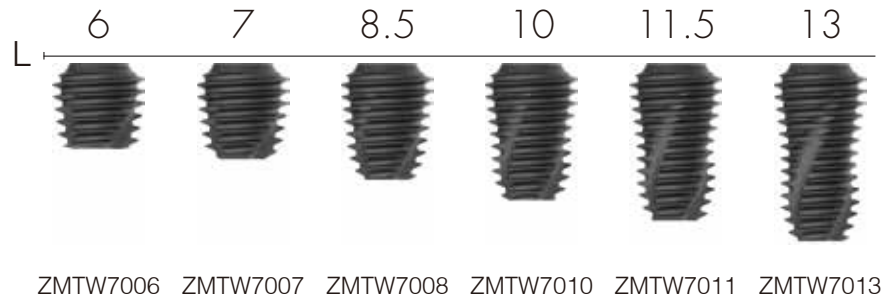
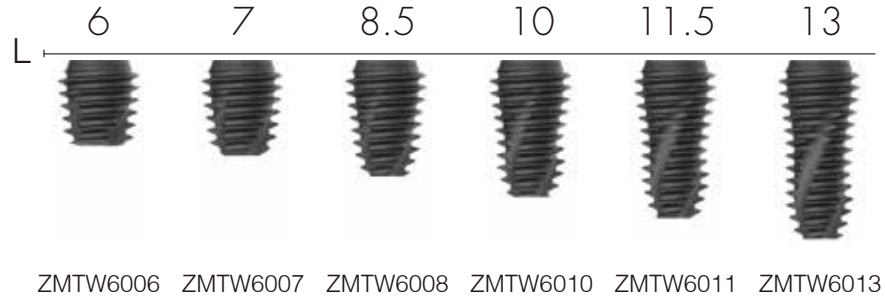
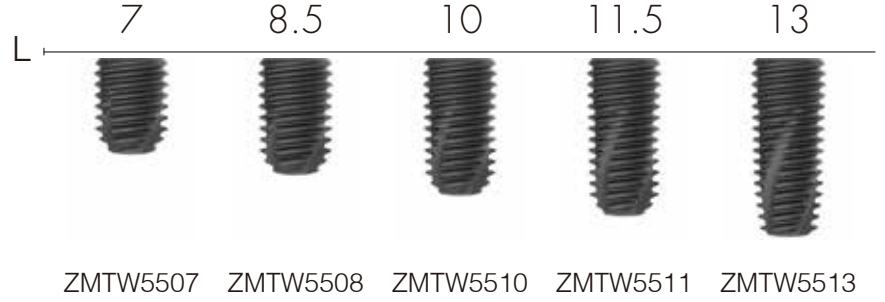
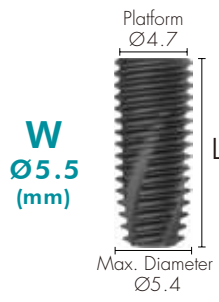
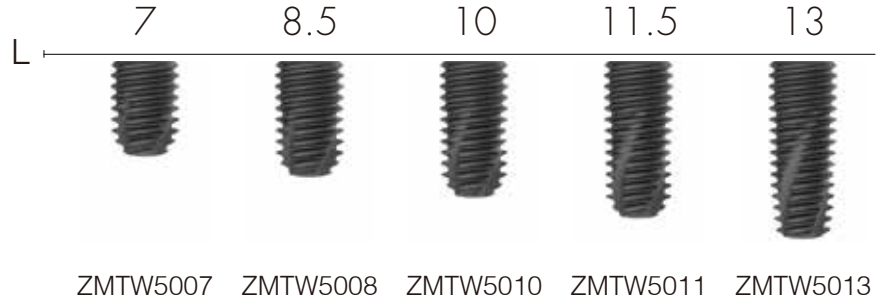
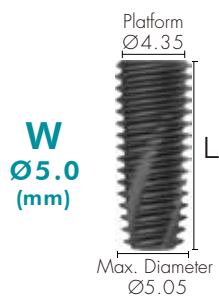
- Wide fixture with single thread for easy implant placement.
- 6mm length fixture enables to use in lower alveolar bone
- Radial shaped on upper part of fixture enables to be used for wide hole such as extraction socket

* Recommend to use fixture bigger than Ø4.5 mm for single case in posterior area

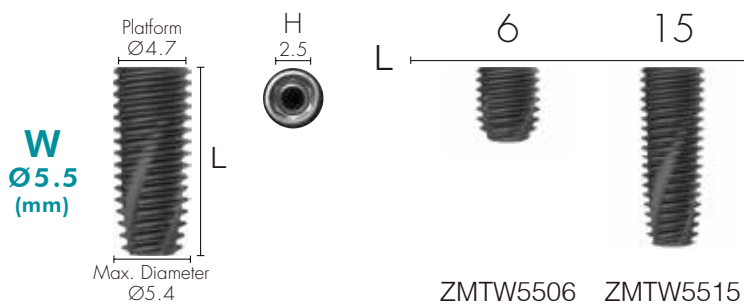
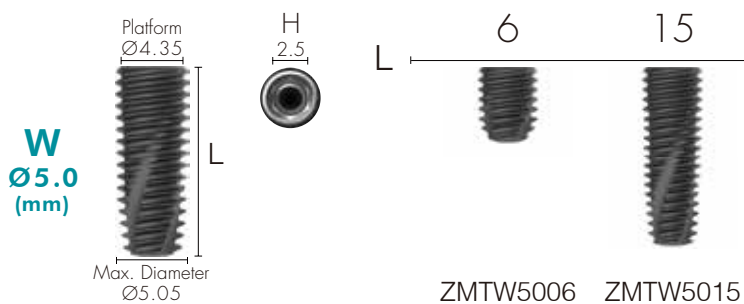
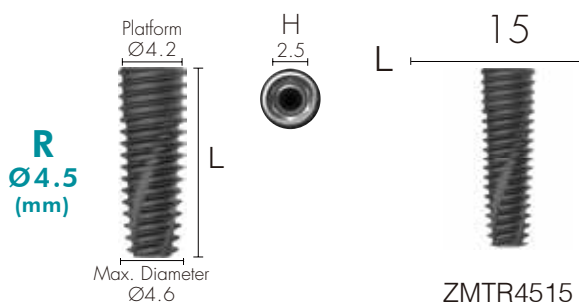
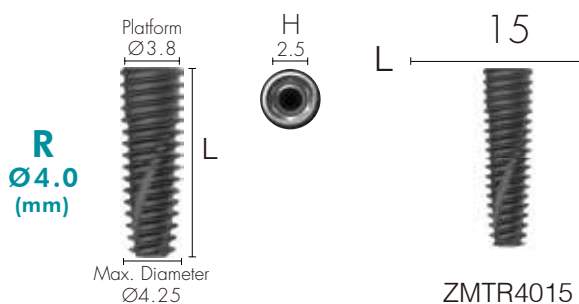
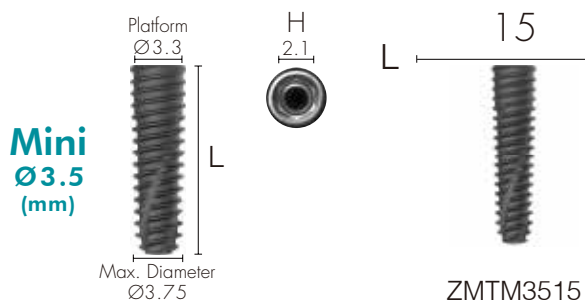
Cover Screw not included in the Fixture package.

020 ZENEX MULTI





Special Options



Cover Screw

Select appropriate fixture height upon depth of implant placement.
Select specification fits for fixture connection.

Tighten with 1.2 Hex Driver by hand
Recommended tightening torque: 5~8Ncm

Mini



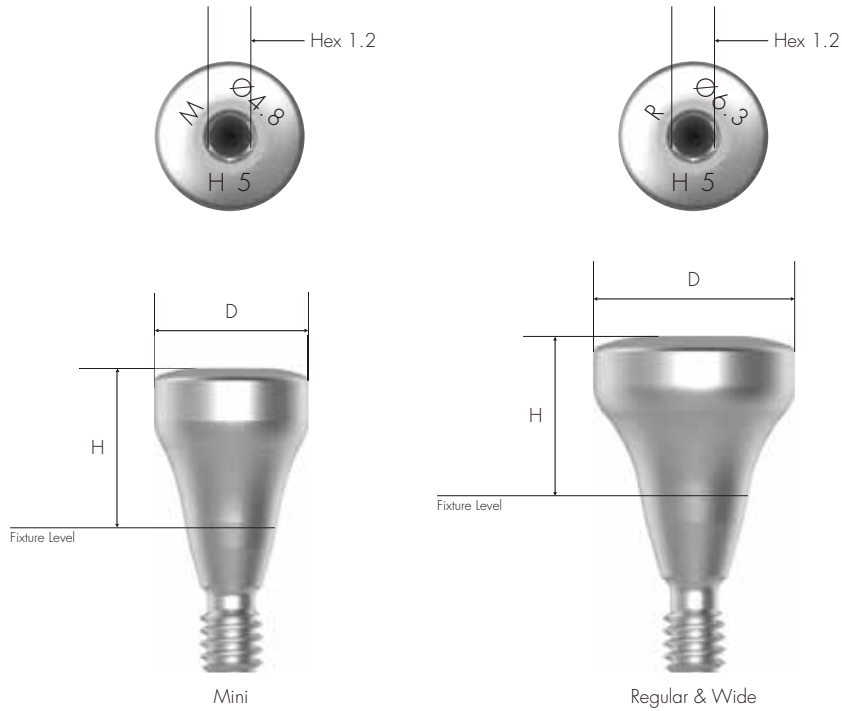
R/W



Healing Abutment

Use Healing Abutment fits for the diameter of abutment.
 Use specification fits for fixture connection.

Tighten with 1.2 Hex Driver by hand
 Recommended tightening torque: 5~8Ncm



024 ZENEX MULTI

Mini

H (mm)	3.0	4.0	5.0	7.0	9.0
D (mm)					
Ø4.3	HATM403	HATM404	HATM405	HATM407	HATM409
Ø4.8	HATM453	HATM454	HATM455	HATM457	HATM459

R/WH
(mm)

3.0

4.0

5.0

7.0

9.0

D
(mm)

Ø4.3



HATR403



HATR404



HATR405



HATR407



HATR409

Ø4.8

HATR453

HATR454

HATR455

HATR457

HATR459

Ø5.3

HATR503

HATR504

HATR505

HATR507

HATR509

Ø6.3

HATR603

HATR604

HATR605

HATR607

HATR609

Ø7.3

HATR703

HATR704

HATR705

HATR707

HATR709

Ø8.3

HATR803

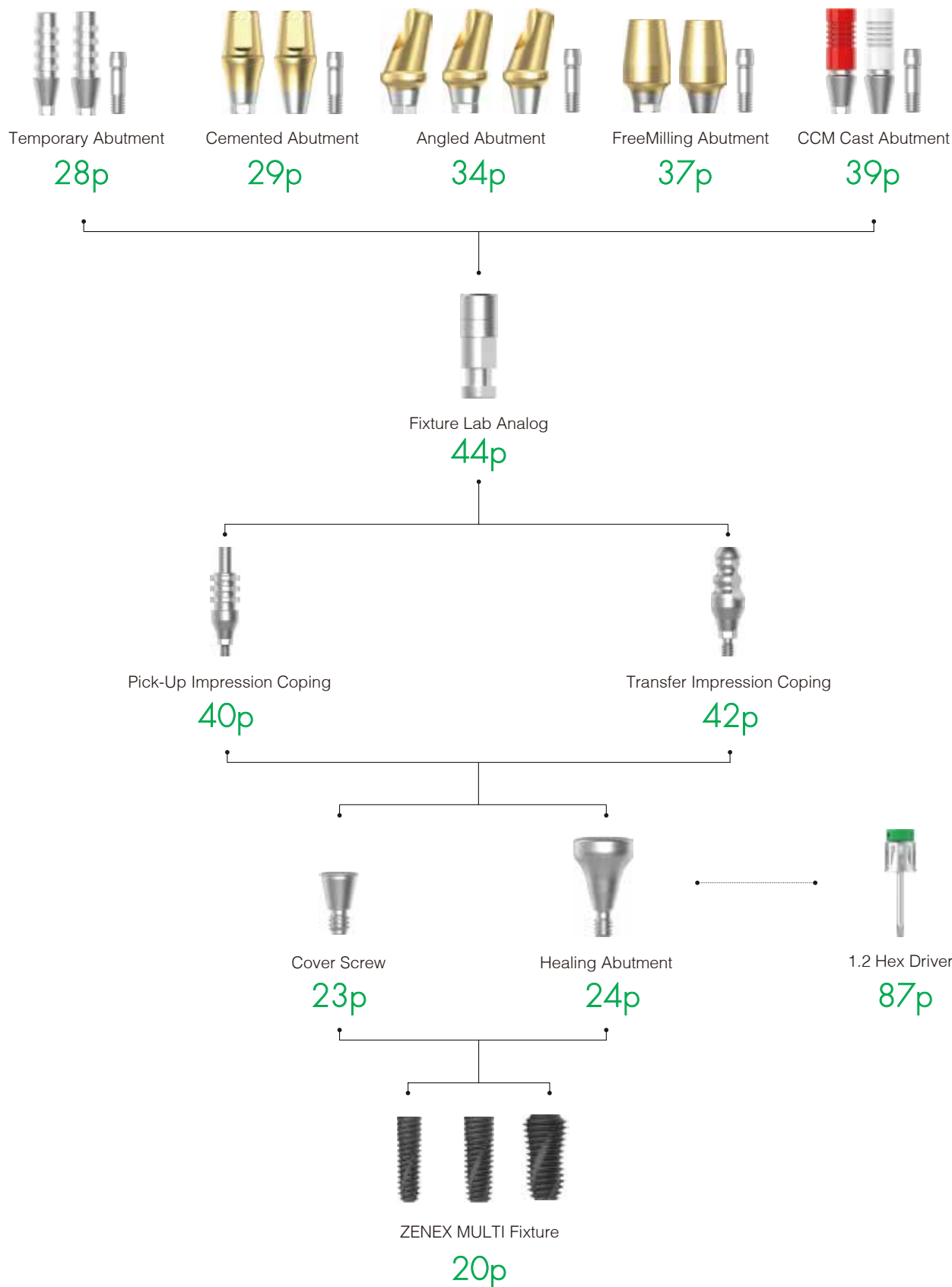
HATR804

HATR805

IZEN

I M P L A N T

Prosthetic Flow Chart I



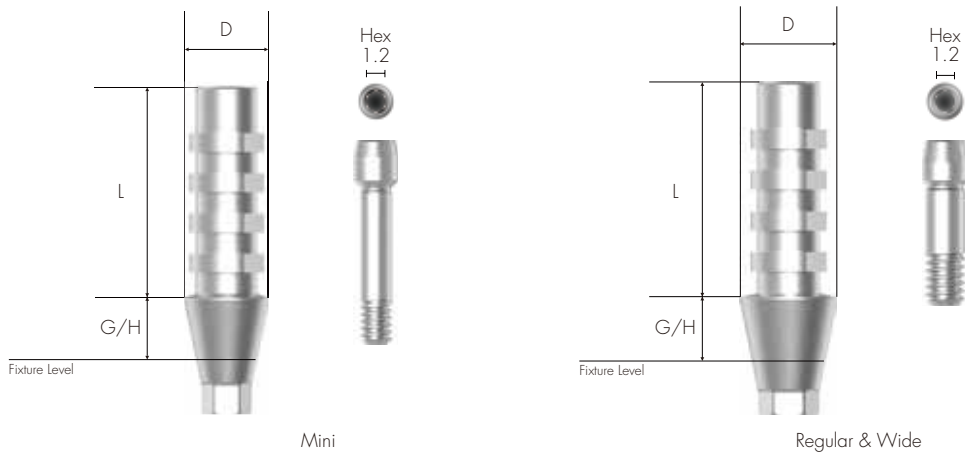
027
ZENEX
MULTI

Temporary Abutment

Abutment for manufacturing Screw-retained type temporary prosthesis
 Select specification fits for fixture connection.
 Fixture Level Impression

Tighten with 1.2 Hex Driver
 Recommended tightening torque: 20Ncm

To order as a set as 'Abutment + Abutment Screw'
 : Product Code + S (ex: TATRH4510S)



Mini
 DØ4.0

G/H (mm)	1.0		3.0	
	Hex	Non-Hex	Hex	Non-Hex
	TATMH4010	TATMN4010	TATMH4030	TATMN4030

R/W
 DØ4.5

G/H (mm)	1.0		3.0	
	Hex	Non-Hex	Hex	Non-Hex
	TATRH4510	TATRN4510	TATRH4530	TATRN4530

Cemented Abutment

Abutment for manufacturing Cement/Combination-retained type prosthesis

Select specification fits for fixture connection.

Customized by grinding (need to be maintained at least 3.0mm of Abutment Length above Fixture Platform)

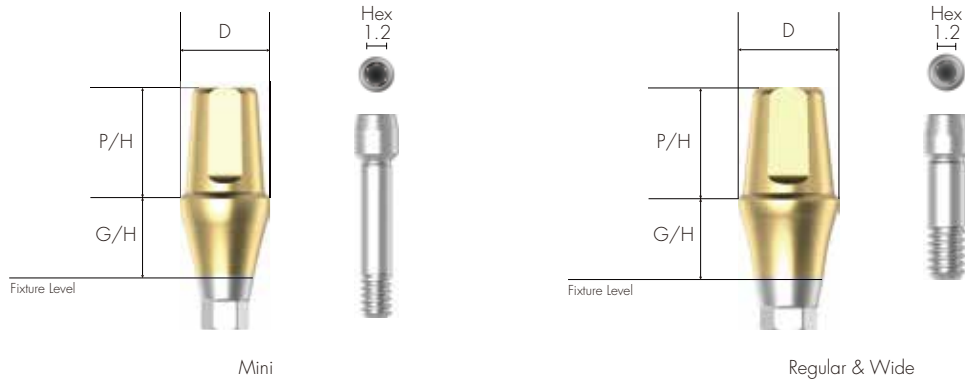
Fixture Level Impression

Tighten with 1.2 Hex Driver

Recommended tightening torque: 30Ncm

To order as a set as 'Abutment + Abutment Screw'

: Product Code + S (ex: CATRH45105S)



Mini DØ4.0

	G/H (mm)	1.0	2.0	3.0	4.0
Hex	P/H (mm)				
	5.5	CATMH40105	CATMH40205	CATMH40305	CATMH40405
	7.0	CATMH40107	CATMH40207	CATMH40307	CATMH40407
Non-Hex	P/H (mm)				
	5.5	CATMN40105	CATMN40205	CATMN40305	CATMN40405
	7.0	CATMN40107	CATMN40207	CATMN40307	CATMN40407

Mini DØ4.0

	G/H (mm)	5.0	6.0	7.0
Hex	P/H (mm)			
	5.5	CATMH40505	CATMH40605	CATMH40705
	7.0	CATMH40507	CATMH40607	CATMH40707
Non-Hex	P/H (mm)			
	5.5	CATMN40505	CATMN40605	CATMN40705
	7.0	CATMN40507	CATMN40607	CATMN40707

Mini
DØ4.5

		G/H (mm)	1.0	2.0	3.0	4.0
						
Hex	P/H (mm)	5.5	CATMH45105	CATMH45205	CATMH45305	CATMH45405
		7.0	CATMH45107	CATMH45207	CATMH45307	CATMH45407
Non-Hex	P/H (mm)	5.5	CATMN45105	CATMN45205	CATMN45305	CATMN45405
		7.0	CATMN45107	CATMN45207	CATMN45307	CATMN45407

Mini
DØ4.5

		G/H (mm)	5.0	6.0	7.0
					
Hex	P/H (mm)	5.5	CATMH45505	CATMH45605	CATMH45705
		7.0	CATMH45507	CATMH45607	CATMH45707
Non-Hex	P/H (mm)	5.5	CATMN45505	CATMN45605	CATMN45705
		7.0	CATMN45507	CATMN45607	CATMN45707

R/W
DØ4.5

		G/H (mm)	1.0	2.0	3.0	4.0
						
Hex	P/H (mm)	5.5	CATRH45105	CATRH45205	CATRH45305	CATRH45405
		7.0	CATRH45107	CATRH45207	CATRH45307	CATRH45407
Non-Hex	P/H (mm)	5.5	CATRN45105	CATRN45205	CATRN45305	CATRN45405
		7.0	CATRN45107	CATRN45207	CATRN45307	CATRN45407

R/W
DØ4.5

		G/H (mm)	5.0	6.0	7.0
		P/H (mm)			
Hex	5.5	CATRH45505	CATRH45605	CATRH45705	
	7.0	CATRH45507	CATRH45607	CATRH45707	
Non-Hex	5.5	CATRN45505	CATRN45605	CATRN45705	
	7.0	CATRN45507	CATRN45607	CATRN45707	

R/W
DØ5.0

		G/H (mm)	1.0	2.0	3.0	4.0
		P/H (mm)				
Hex	4.0	CATRH50104	CATRH50204	CATRH50304	CATRH50404	
	5.5	CATRH50105	CATRH50205	CATRH50305	CATRH50405	
	7.0	CATRH50107	CATRH50207	CATRH50307	CATRH50407	
Non-Hex	4.0	CATRN50104	CATRN50204	CATRN50304	CATRN50404	
	5.5	CATRN50105	CATRN50205	CATRN50305	CATRN50405	
	7.0	CATRN50107	CATRN50207	CATRN50307	CATRN50407	

R/W
DØ5.0

		G/H (mm)	5.0	6.0	7.0
		P/H (mm)			
Hex	4.0	CATRH50504	CATRH50604	CATRH50704	
	5.5	CATRH50505	CATRH50605	CATRH50705	
	7.0	CATRH50507	CATRH50607	CATRH50707	
Non-Hex	4.0	CATRN50504	CATRN50604	CATRN50704	
	5.5	CATRN50505	CATRN50605	CATRN50705	
	7.0	CATRN50507	CATRN50607	CATRN50707	

031 ZENEX
MULTI

R/W
DØ6.0

		G/H (mm)	1.0	2.0	3.0	4.0
						
		P/H (mm)				
Hex	4.0	CATRH60104	CATRH60204	CATRH60304	CATRH60404	
	5.5	CATRH60105	CATRH60205	CATRH60305	CATRH60405	
	7.0	CATRH60107	CATRH60207	CATRH60307	CATRH60407	
Non-Hex	4.0	CATRN60104	CATRN60204	CATRN60304	CATRN60404	
	5.5	CATRN60105	CATRN60205	CATRN60305	CATRN60405	
	7.0	CATRN60107	CATRN60207	CATRN60307	CATRN60407	

R/W
DØ6.0

		G/H (mm)	5.0	6.0	7.0
					
		P/H (mm)			
Hex	4.0	CATRH60504	CATRH60604	CATRH60704	
	5.5	CATRH60505	CATRH60605	CATRH60705	
	7.0	CATRH60507	CATRH60607	CATRH60707	
Non-Hex	4.0	CATRN60504	CATRN60604	CATRN60704	
	5.5	CATRN60505	CATRN60605	CATRN60705	
	7.0	CATRN60507	CATRN60607	CATRN60707	

R/W
DØ7.0

		G/H (mm)	1.0	2.0	3.0	4.0
						
		P/H (mm)				
Hex	4.0	CATRH70104	CATRH70204	CATRH70304	CATRH70404	
	5.5	CATRH70105	CATRH70205	CATRH70305	CATRH70405	
Non-Hex	4.0	CATRN70104	CATRN70204	CATRN70304	CATRN70404	
	5.5	CATRN70105	CATRN70205	CATRN70305	CATRN70405	

032 ZENEX MULTI

R/W
DØ7.0

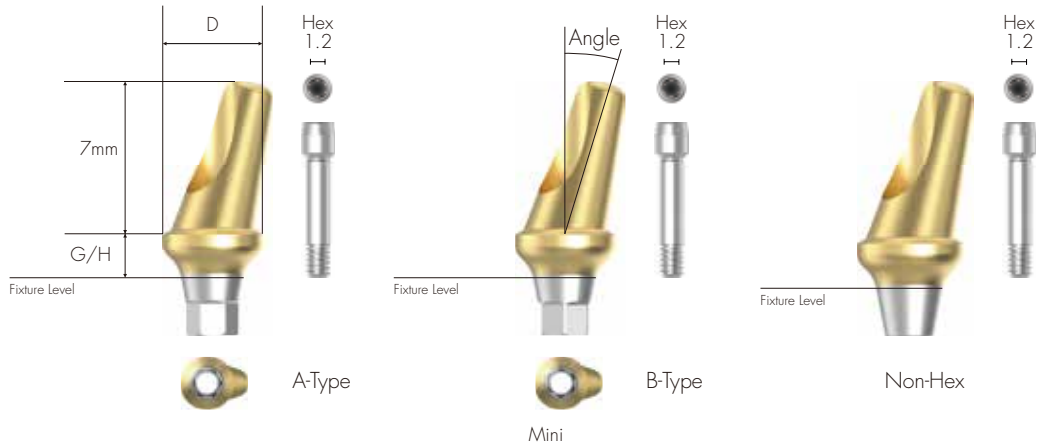
	G/H (mm)	5.0	6.0	7.0
				
	P/H (mm)			
Hex	4.0	CATRH70504	CATRH70604	CATRH70704
	5.5	CATRH70505	CATRH70605	CATRH70705
Non-Hex	4.0	CATRN70504	CATRN70604	CATRN70704
	5.5	CATRN70505	CATRN70605	CATRN70705

Angled Abutment

Abutment for manufacturing Cement/Combination-retained type prosthesis
 Select specification fits for fixture connection.
 Fixture Level Impression
 Can be positioned in 12 directions by selecting A or B type

Tighten with 1.2 Hex Driver
 Recommended tightening torque: 30Ncm

To order as a set as 'Abutment + Abutment Screw'
 : Product Code + S (ex: AATRA45172S)



Mini
 DØ4.0

G/H (mm)	2.0	4.0
Angle	17°	



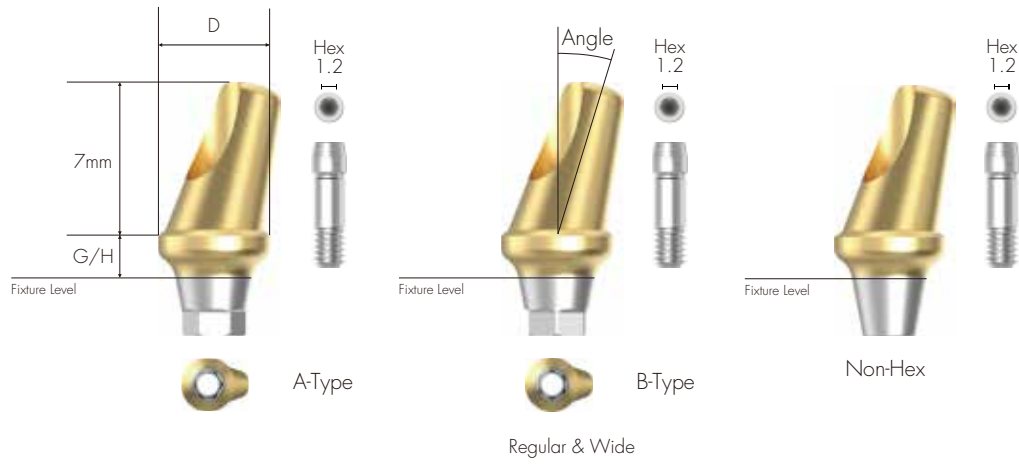
A-Type	AATMA40172	AATMA40174
B-Type	AATMB40172	AATMB40174
Non-Hex	AATMN40172	AATMN40174

Mini
 DØ4.5

G/H (mm)	2.0	4.0
Angle	17°	



A-Type	AATMA45172	AATMA45174
B-Type	AATMB45172	AATMB45174
Non-Hex	AATMN45172	AATMN45174



R/W
DØ4.5

G/H (mm)	2.0	4.0
Angle	17°	



A-Type

AATRA45172

AATRA45174

B-Type

AATRB45172

AATRB45174

Non-Hex

AATRN45172

AATRN45174

R/W
DØ5.0

G/H (mm)	2.0	4.0
Angle	17°	



A-Type

AATRA50172

AATRA50174

B-Type

AATRB50172

AATRB50174

Non-Hex

AATRN50172

AATRN50174

R/W
DØ6.0

G/H
(mm) 2.0 4.0
Angle 17°



A-Type

AATRA60172

AATRA60174

B-Type

AATRB60172

AATRB60174

Non-Hex

AATR60172

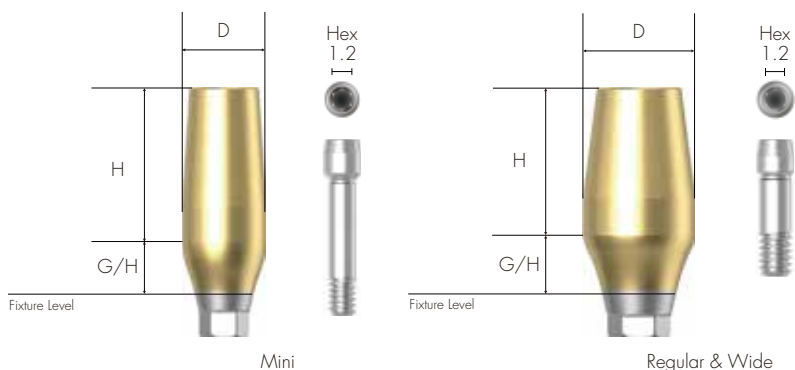
AATR60174

FreeMilling Abutment

Abutment for manufacturing Cement/Combination-retained type prosthesis
 Used when creating free marginal space for Abutment
 Select specification fits for fixture Connection
 Customized by grinding (need to be maintained at least 3.0mm of Abutment Length above Fixture Platform)
 Fixture Level Impression

Tighten with 1.2 Hex Driver
 Recommended tightening torque: 30Ncm

To order as a set as 'Abutment + Abutment Screw'
 : Product Code + S (ex: FMATRH40159S)



037 ZENEX MULTI

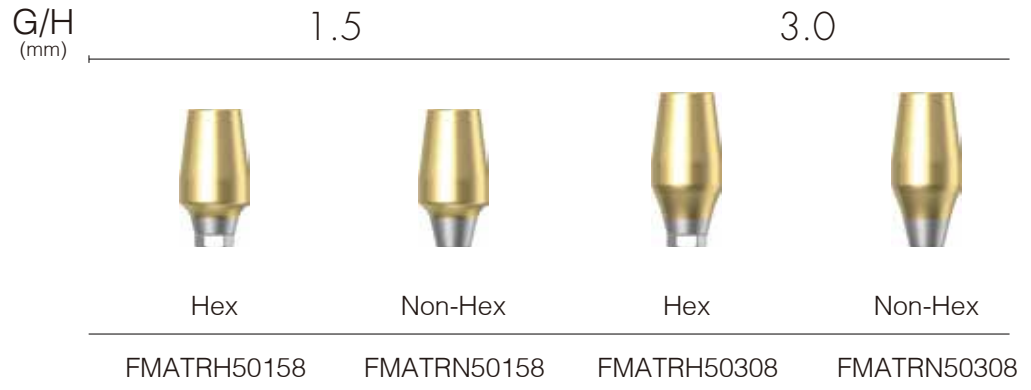
Mini
 DØ4.0
 H: 9.0mm

G/H (mm)	1.5	3.0
	Hex	Non-Hex
	FMATMH40159	FMATMN40159
	Hex	Non-Hex
	FMATMH40309	FMATMN40309

R/W
 DØ4.0
 H: 9.0mm

G/H (mm)	1.5	3.0
	Hex	Non-Hex
	FMATRH40159	FMATRN40159
	Hex	Non-Hex
	FMATRH40309	FMATRN40309

R/W
DØ5.0
H: 8.0mm



R/W
DØ6.0
H: 8.0mm



R/W
DØ7.0
H: 8.0mm

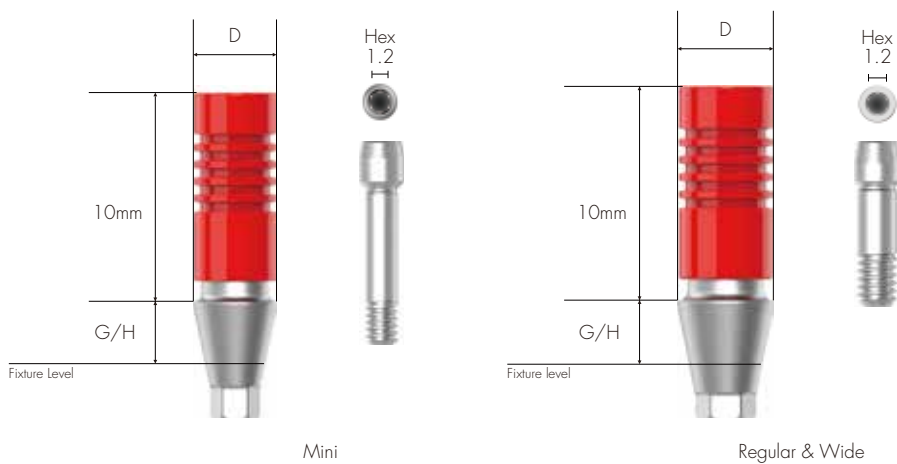


CCM Cast Abutment

Abutment for manufacturing customized abutment in difficult and complicated cases
 Select specification fits for fixture connection
 Fixture Level Impression
 Casting with non-precious alloy for manufacturing customized prosthesis
 Melting point of CCM : 1,400 ~ 1,550°C

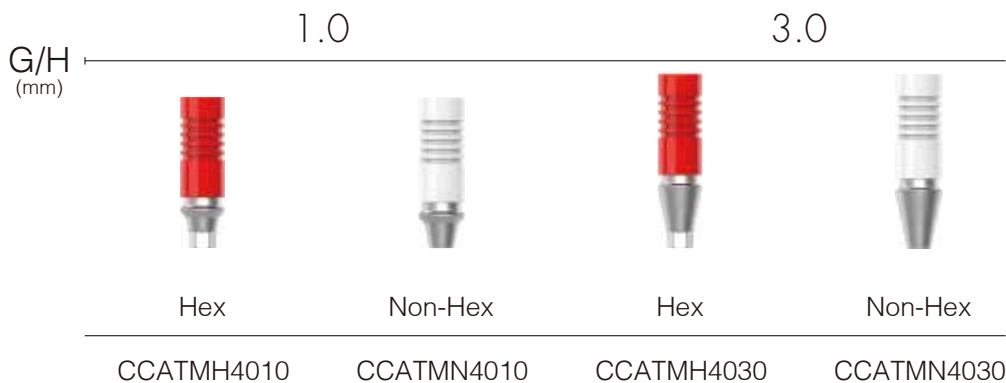
Tighten with 1.2 Hex Driver
 Recommended tightening torque: 30Ncm

To order as a set as 'Abutment + Abutment Screw'
 : Product Code + S (ex: CCATRH4510S)

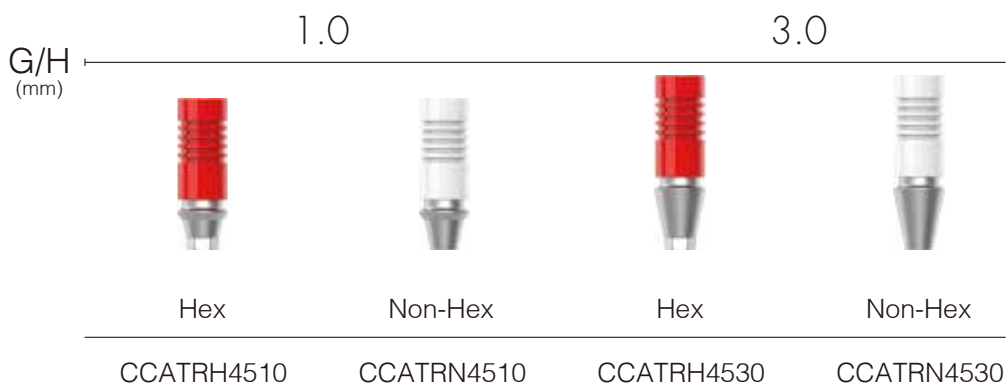


039 ZENEX MULTI

Mini DØ4.0



R/W DØ4.5

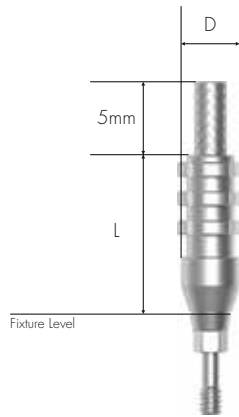


Pick-Up Impression Coping

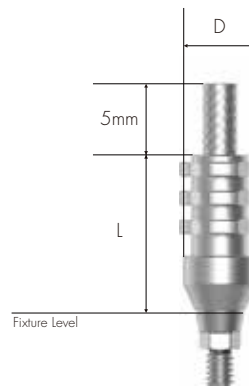
Components for Fixture Level Impression
 Open Tray Type
 Select specification fits for fixture connection
 Enables accurate impression with design of stably fixed in impression material

Tighten with 1.2 Hex Driver by hand

To order as a set as 'Impression Coping Body + Guide Pin'
 : [For 11mm Length] Product Code + S (ex: PITRH40SS)
 [For 15mm Length] Product Code + S (ex: PITRH40LS)



Mini



Regular & Wide

040 ZENEX MULTI

L (mm) 11.0

Hex

Non-Hex

Guide Pin
S



	D (mm)	Hex	Non-Hex	Guide Pin S
Mini	Ø4.0	PITMH40S	PITMN40S	PIGPTMS
	Ø4.5	PITMH45S	PITMN45S	
R/W	Ø4.0	PITRH40S	PITRN40S	PIGPTRS
	Ø4.5	PITRH45S	PITRN45S	
	Ø5.0	PITRH50S	PITRN50S	
	Ø6.0	PITRH60S	PITRN60S	
	Ø7.0	PITRH70S	PITRN70S	

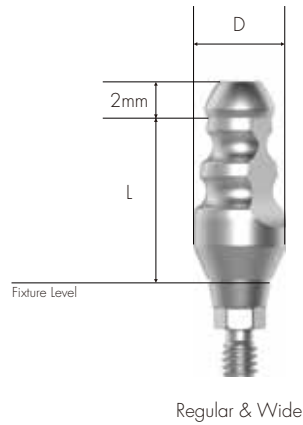
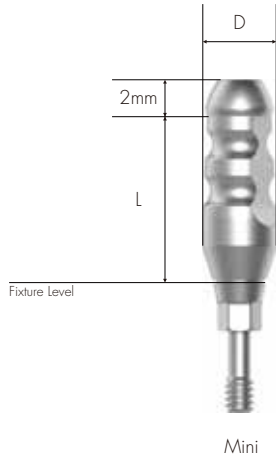
		L (mm) 15.0		Guide Pin L	
		Hex	Non-Hex		
	D (mm)				
Mini	Ø4.0	PITMH40L	PITMN40L	PIGPTML	
	Ø4.5	PITMH45L	PITMN45L		
R/W	Ø4.0	PITRH40L	PITRN40L	PIGPTRL	
	Ø4.5	PITRH45L	PITRN45L		
	Ø5.0	PITRH50L	PITRN50L		
	Ø6.0	PITRH60L	PITRN60L		
	Ø7.0	PITRH70L	PITRN70L		

Transfer Impression Coping

Components for Fixture Level Impression
 Closed Tray Type
 Select specification fits for fixture connection
 Streamlined Shape: Easy to transfer
 Anti-Rotation Grooves accord with Hex of fixture

Tighten with 1.2 Hex Driver by hand

To order as a set as 'Impression Coping Body + Guide Pin'
 : [For 11mm Length] Product Code + S (ex: TITRH40SS)
 [For 15mm Length] Product Code + S (ex: TITRH40LS)



042 ZENEX MULTI

L (mm) 9.0

Hex



Non-Hex



Guide Pin
S



	D (mm)	Hex	Non-Hex	Guide Pin S
Mini	Ø4.0	TITMH40S	TITMN40S	TIGPTMS
	Ø4.5	TITMH45S	TITMN45S	
R/W	Ø4.0	TITRH40S	TITRN40S	TIGPTRS
	Ø4.5	TITRH45S	TITRN45S	
	Ø5.0	TITRH50S	TITRN50S	
	Ø6.0	TITRH60S	TITRN60S	
	Ø7.0	TITRH70S	TITRN70S	

		L (mm) 13.0		Guide Pin L	
		Hex	Non-Hex		
	D (mm)				
Mini	Ø4.0	TITMH40L	TITMN40L	TIGPTML	
	Ø4.5	TITMH45L	TITMN45L		
R/W	Ø4.0	TITRH40L	TITRN40L	TIGPTRL	
	Ø4.5	TITRH45L	TITRN45L		
	Ø5.0	TITRH50L	TITRN50L		
	Ø6.0	TITRH60L	TITRN60L		
	Ø7.0	TITRH70L	TITRN70L		

Fixture Lab Analog

Lab Analog for Fixture Level Impression

Select between Fixture Diameter (\varnothing 3.5 / \varnothing 4.0 and above)



044 ZENEX
MULTI

Mini
D \varnothing 3.75



FLATM350

R/W
D \varnothing 4.25



FLATR400

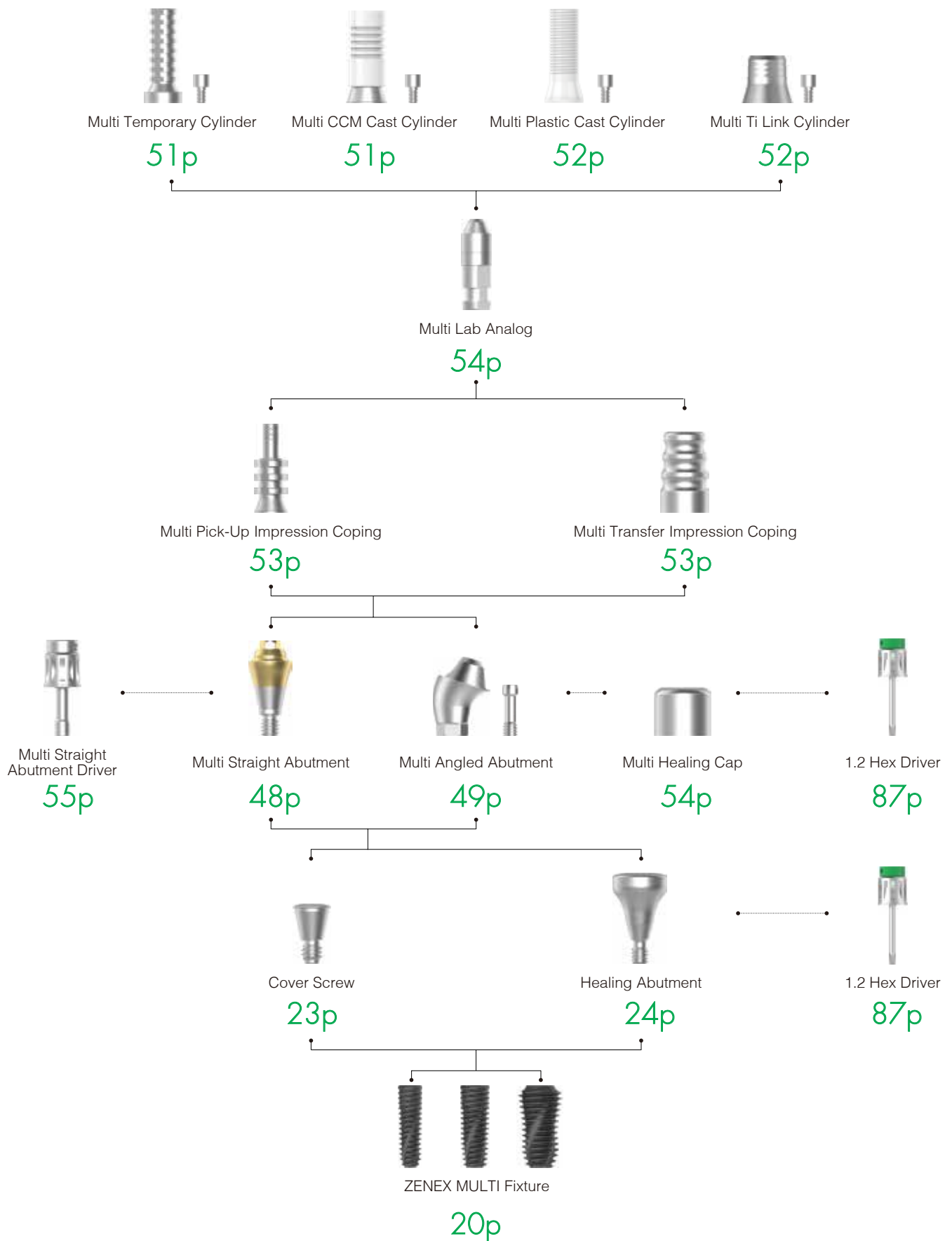
IZEN
I M P L A N T

045 ZENEX
MULTI

IZEN

I M P L A N T

Prosthetic Flow Chart II



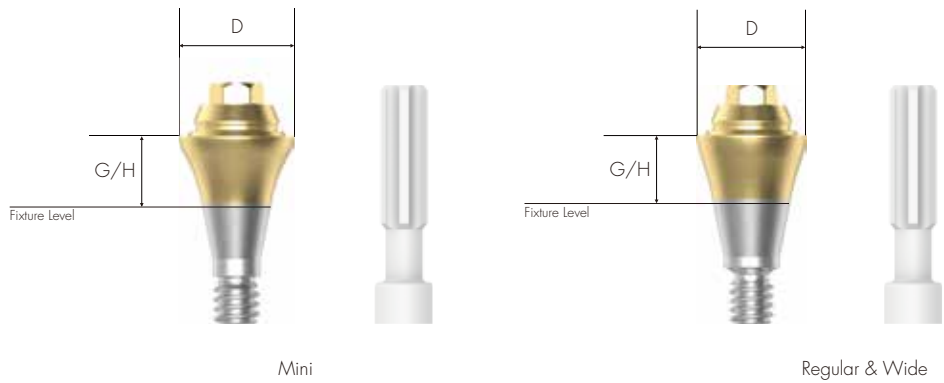
047 ZENEX MULTI

Multi Straight Abutment

Abutment for manufacturing screw-retained prosthesis in Multiple Case
 Same platform as Multi Angled Abutment
 Move into internal oral part by using exclusive Abutment Carrier (Code: MSACR48)

Tighten with exclusive driver (Code: MSADSR20)
 Recommended tightening torque: 30Ncm

To order as a set as 'Abutment + Carrier'
 : Product Code + S (ex: MSATR4810S)



048 ZENEX MULTI

Mini DØ4.8

G/H (mm)	1.0	2.0	3.0	4.0	5.0
	MSATM4810	MSATM4820	MSATM4830	MSATM4840	MSATM4850

R/W DØ4.8

G/H (mm)	1.0	2.0	3.0	4.0	5.0
	MSATR4810	MSATR4820	MSATR4830	MSATR4840	MSATR4850

Multi Angled Abutment

Abutment for manufacturing screw-retained prosthesis in Multiple Case
 Abutment of various angles (17°, 30°) for various angled of implant insertion path
 Same platform as Multi Straight Abutment
 Compensation of fixture placement angle up to 108°
 Connect by using exclusive Abutment Carrier (Code: MAACRMC)

Tighten with 1.2 Hex Driver

Recommended tightening torque: 30Ncm

Multi Angled Abutment Screw (MAASTM20 for Mini & MAASTR20 for Regular and Wide) included

To order as a set as 'Abutment + Screw + Carrier'
 : Product Code + S (ex: MAATRH481725S)



049 ZENEX MULTI

Mini DØ4.8

G/H (mm)	2.5	3.0	4.0
----------	-----	-----	-----

Angle
17°



MAATMH481725 MAATMH481730 MAATMH481740

Mini DØ4.8

G/H (mm)	3.5	4.0	5.0
----------	-----	-----	-----

Angle
30°



MAATMH483035 MAATMH483040 MAATMH483050

R/W
DØ4.8

G/H (mm) 2.5 3.0 4.0

Angle
17°



MAATRH481725



MAATRH481730



MAATRH481740

R/W
DØ4.8

G/H (mm) 3.5 4.0 5.0

Angle
30°



MAATRH483035



MAATRH483040



MAATRH483050

Multi Temporary Cylinder

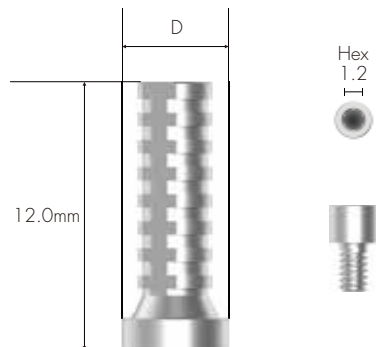
Multi Cylinder for making Combination-retained prosthesis from Multi Abutment
For manufacturing Screw-retained temporary Abutment

Tighten with 1.2 Hex Driver

Recommended tightening torque: 20Ncm

Multi Cylinder Screw (MTCSR23) included

To order as a set as 'Cylinder + Multi Cylinder Screw'
: Product Code + S (ex: MTCSRN48S)



DØ4.8

MTCSRN48

051 ZENEX
MULTI

Multi CCM Cast Cylinder

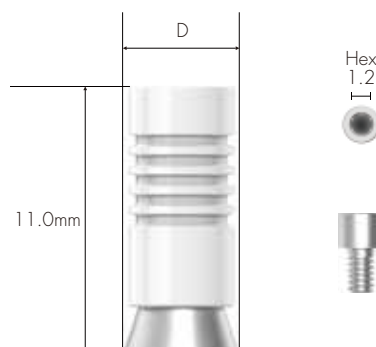
Multi Cylinder for making Screw-retained prosthesis from Multi Abutment
Casting with non-precious alloy for manufacturing customized prosthesis
Melting point of CCM : 1,400 ~ 1,550°C

Tighten with 1.2 Hex Driver

Recommended tightening torque: 20Ncm

Multi Cylinder Screw (MTCSR23) included

To order as a set as 'Cylinder + Multi Cylinder Screw'
: Product Code + S (ex: MCCCORN48S)



DØ4.8

MCCCORN48

Multi Plastic Cast Cylinder

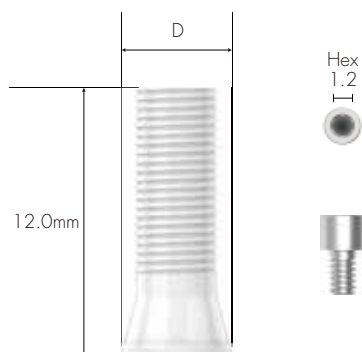
Multi Cylinder for making Screw-retained prosthesis from Multi Abutment

Tighten with 1.2 Hex Driver

Recommended tightening torque: 20Ncm

Multi Cylinder Screw (MTCSR23) included

To order as a set as 'Cylinder + Multi Cylinder Screw'
: Product Code + S (ex: MPCCSRN48S)



DØ5.0

MPCCSRN48

052 ZENEX MULTI

Multi Ti Link Cylinder

Multi Cylinder for making Combination-retained prosthesis from Multi Abutment

Use when producing Customized Abutment (Titanium & Zirconia) and Crown by CAD/CAM equipment

Use exclusive implant library of ZENEX MULTI Implant System

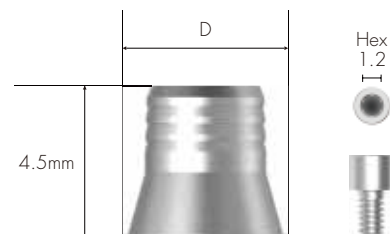
Abutment Level Impression

Tighten with 1.2 Hex Driver

Recommended tightening torque: 20Ncm

Multi Cylinder Screw (MTCSR23) included

To order as a set as 'Cylinder + Multi Cylinder Screw'
: Product Code + S (ex: MTLCSRN48S)



DØ4.8

MTLCSRN48

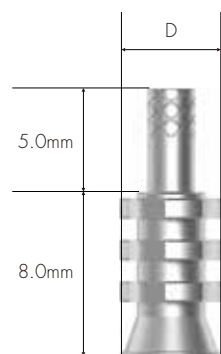
Multi Pick-Up Impression Coping

Components for taking Abutment Level impression for Multi Abutment Open Tray Type

Tighten with 1.2 Hex Driver by hand

Multi Pick-up Impression Coping Guide Pin (MPICSRGP) included

To order as a set as 'Impression Coping body + Guide Pin'
: Product Code + S (ex: MPICSR48S)



DØ4.8

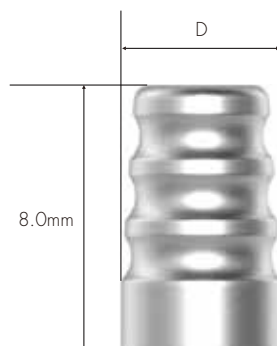
MPICSR48

053 ZENEX
MULTI

Multi Transfer Impression Coping

Components for taking Abutment Level impression for Multi Abutment Closed Tray Type

Tighten with 1.2 Hex Driver by hand



DØ4.8

MTICSR48

Multi Lab Analog

Lab Analog for Multi Abutment



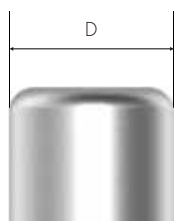
MLASR48

054 ZENEX
MULTI

Multi Healing Cap

Protect Cap for Multi Abutment

Tighten with 1.2 Hex Driver by hand



$D\varnothing 4.8$

MHCSR48

Multi ScanBody

ScanBody for Multi Abutment

ScanBody for manufacturing customized Titanium abutment
Use for Oral scan (Model scan available as well)

Tighten with 1.2 Hex Driver by hand

To order as a set as 'ScanBody + ScanBody Screw'
: Product Code + S (ex: MSBSR4809S)



MSBSR4809

055 ZENEX
MULTI

Multi Straight Abutment Driver

Torque driver for Multi Straight Abutment

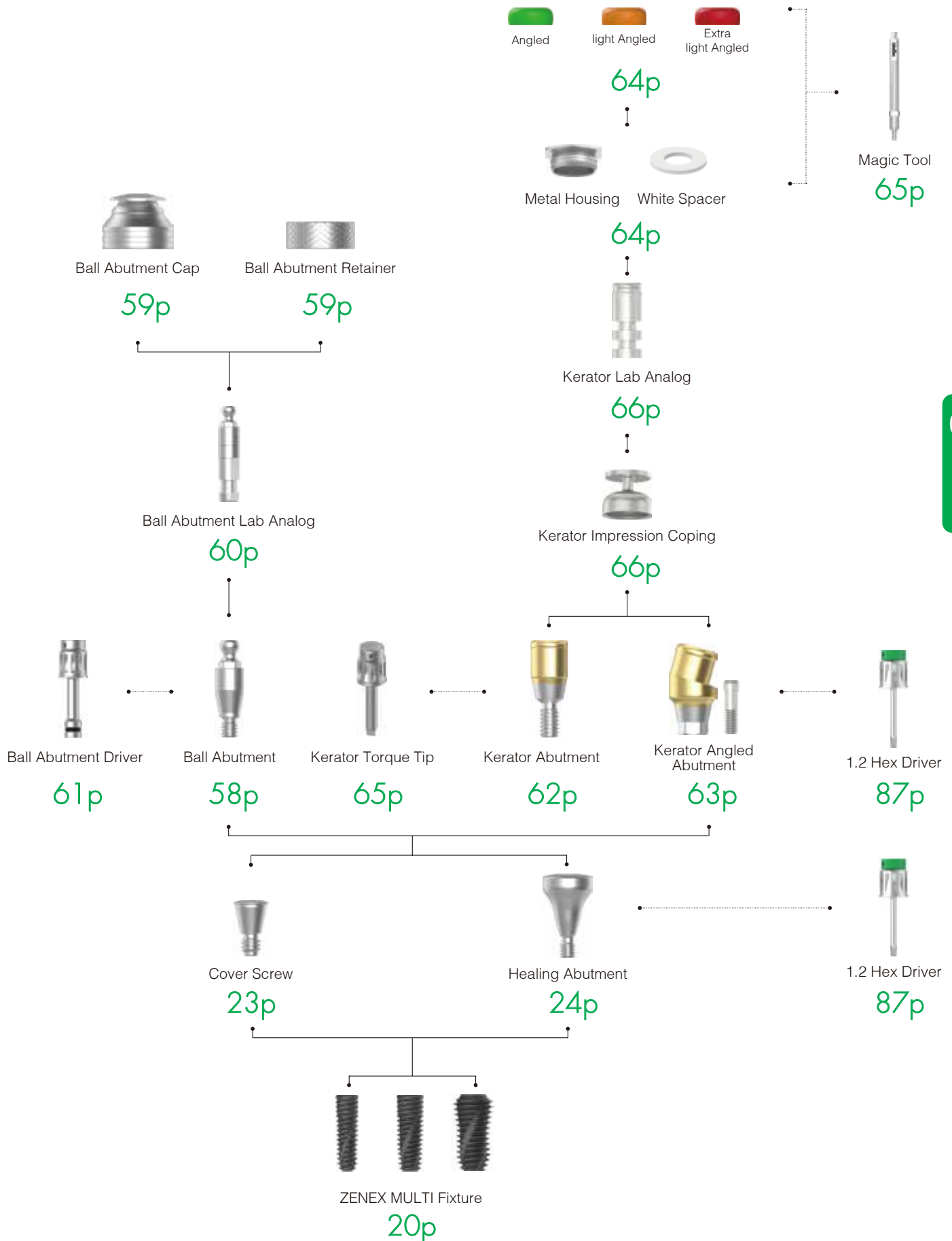


MSADSR20

IZEN

I M P L A N T

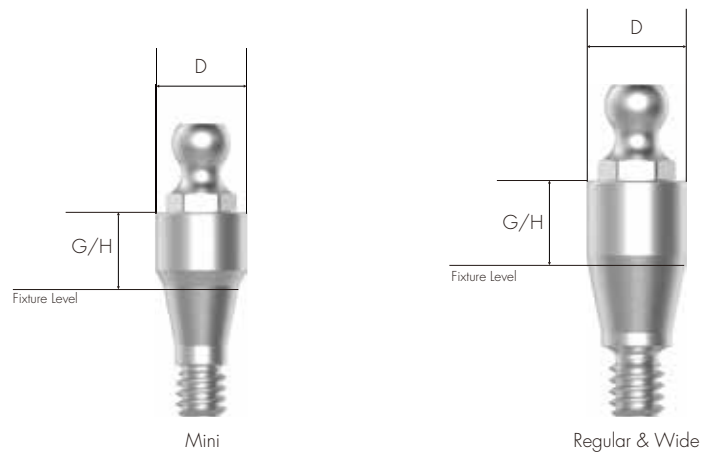
Prosthetic Flow Chart III



Ball Abutment

Abutment for overdenture using O-ring attachment
 Compensation of mounting angle up to 20°

Tighten with exclusive Ball Abutment Driver (Code: BAD24)
 Recommended tightening torque: 30Ncm



058 ZENEX MULTI

G/H (mm)	1.0	2.0	3.0	4.0	5.0	6.0
Mini DØ3.5						
	BATM3510	BATM3520	BATM3530	BATM3540	BATM3550	BATM3560

G/H (mm)	1.0	2.0	3.0	4.0	5.0	6.0
R/W DØ3.5						
	BATR3510	BATR3520	BATR3530	BATR3540	BATR3550	BATR3560

Ball Abutment Cap Set

O-ring attachment for Ball Abutment

Replace O-ring on Ball Abutment Cap

Packing Unit: Ball Abutment Cap + Ball Abutment Lab O-ring



BASRCS

059 ZENEX
MULTI

Ball Abutment Retainer Set

Use in case lack of vertical diameter comparing to Ball Abutment Retainer

Packing Unit: Ball Abutment Retainer + Ball Abutment Lab O-ring



BASRRS

Ball Abutment O-ring Set

O-ring set

Packing Unit: Ball Abutment O-ring 5 EA



BASROS

06 ZENEX
99 MULTI

Ball Abutment Lab Analog

Lab Analog for Ball Abutment



BAALA

Ball Abutment Driver

Torque driver for Ball Abutment

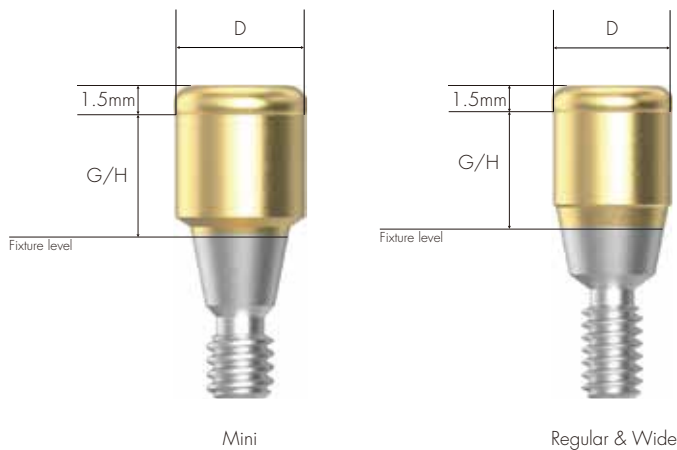


BAD24

Kerator Abutment

Compensation of fixture placement angle up to 40°
 1.5mm lower vertical dimension
 Composition of multiple attachments with stable retention

Connect with exclusive driver
 Recommended tightening torque: 30Ncm



062 ZENEX MULTI

Mini DØ3.7

G/H (mm)	1.0	2.0	3.0	4.0	5.0	6.0
	G351	G352	G353	G354	G355	G356

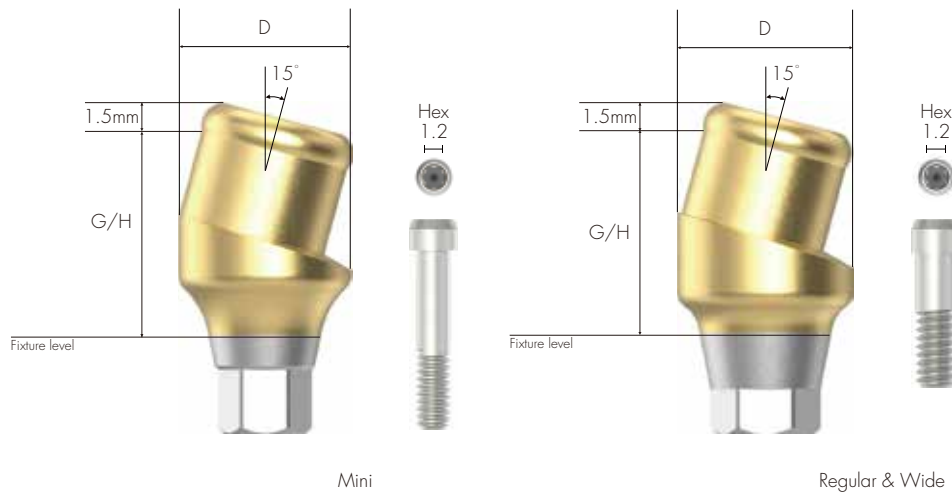
R/W DØ3.7

G/H (mm)	1.0	2.0	3.0	4.0	5.0	6.0
	G401	G402	G403	G404	G405	G406

Kerator Angled Abutment

1.5mm lower vertical dimension
Composition of multiple attachments with stable retention

Connect with 1.2 Hex driver
Recommended tightening torque: 30Ncm



Mini
DØ3.7

G/H (mm) 1.5 3.0



G35AN1.5



G35AN3.0

R/W
DØ3.7

G/H (mm) 1.5 3.0



G4AN1.5



G4AN3.0

Kerator CDPH Set

Composition: Block out spacer / denture cap connected black processing male & Replacement male (Red, Blue & Pink)

Select replacement male of adequate retention to use according to case

Replace replacement male by using Kerator Magic tool



CDPH SET

064 ZENEX
MULTI

Kerator Male Cap

Retention power of KERATOR male cap is down (up to 20%) and red cap(angle) is included in the male package

Colors of cap determine retention power and it minimizes Denture Repair even there is any continuous bone loss



Kerator Magic Tool

Use to connect and remove replacement male on denture cap
As separated into two pieces, it is easy to maintenance



KMT002

Kerator Torque Tip

Torque driver for Kerator

Round Type



KMD719

Kerator Impression Coping

Pick-Up Impression Coping for Kerator abutment
Closed Tray Type



DKI4845

066 ZENEX
90 MULTI

Kerator Lab Analog

Lab Analog for Kerator Abutment



DKA3854

IZEN
I M P L A N T

067 ZENEX
MULTI

IZEN

I M P L A N T

Prosthetic Flow Chart IV



Ti Link Abutment

71p



Ti Blank Abutment

72p



Fixture Lab Analog

44p



Pick-Up Impression Coping

40p



Transfer Impression Coping

42p



Cover Screw

23p



Healing Abutment

24p



1.2 Hex Driver

87p



ZENEX MULTI Fixture

20p

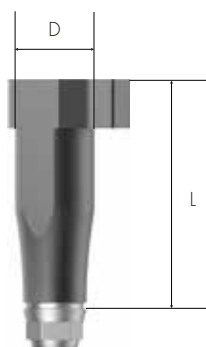
069
ZENEX
MULTI

ScanBody

ScanBody for manufacturing customized Titanium abutment
Use for Oral scan (Model scan available as well)

Tighten with 1.2 Hex Driver by hand

To order as a set as 'ScanBody + ScanBody Screw'
: Product Code + S (ex: TSBR4310S)



070 ZENEX
MULTI

Mini
DØ4.0

L : 14mm



TSBM4014



R/W
DØ4.3

L : 10mm



TSBR4310

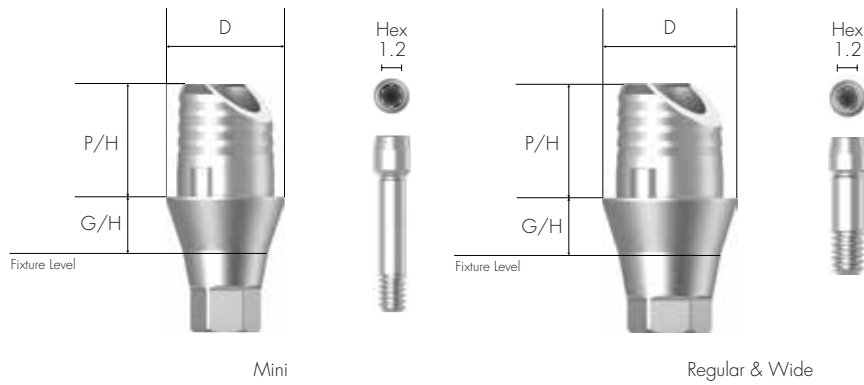


Ti Link Abutment

Abutment for manufacturing Cement/Combination-retained type prosthesis
 For manufacturing custom abutment (Titanium & Zirconia) and crown by CAD/CAM equipment
 Select specification fits for fixture Connection
 Use exclusive library for ZENEX MULTI Implant system
 Fixture Level Impression

Tighten with 1.2 Hex Driver
 Recommended tightening torque: 30Ncm

To order as a set as 'Abutment + Screw'
 : Product Code + S (ex: TLATRH4510S)



071 ZENEX MULTI

Mini DØ4.0

G/H (mm)	1.0		2.0	
	P/H (mm) 3.8			
	Hex	Non-Hex	Hex	Non-Hex
	TLATMH4010	TLATMN4010	TLATMH4020	TLATMN4020

R/W DØ4.5

G/H (mm)	1.0		2.0	
	P/H (mm) 3.8			
	Hex	Non-Hex	Hex	Non-Hex
	TLATRH4510	TLATRN4510	TLATRH4520	TLATRN4520

Ti Blank Abutment

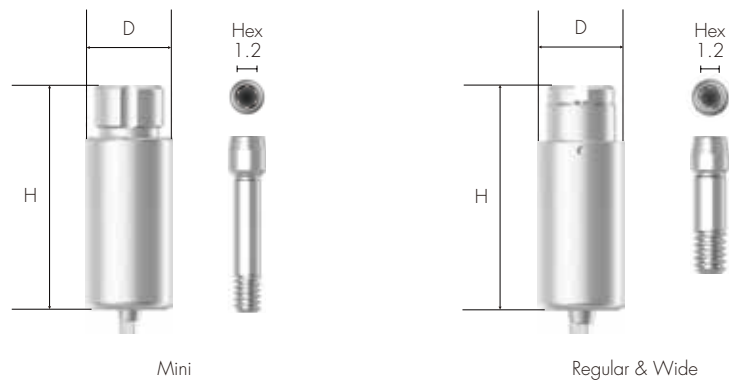
Manufacturing customized abutment with milling machine
 Select specification fits for fixture Connection
 Digital Impression

Tighten with 1.2 Hex Driver

Recommended tightening torque: 30Ncm

Product line-up applied for various milling machine brands
 (Milling machine manufacturer: Doowon, Manix, Vatech, RND)

To order as a set as 'Abutment + Screw'
 : Product Code + S (ex: TBATRH10AS)



072 ZENEX MULTI

For Arum Mini DØ10



R/W DØ10



For Manix
Mini
DØ10



R/W
DØ10

